



RCC

Refrigerant condensers



Engineering data

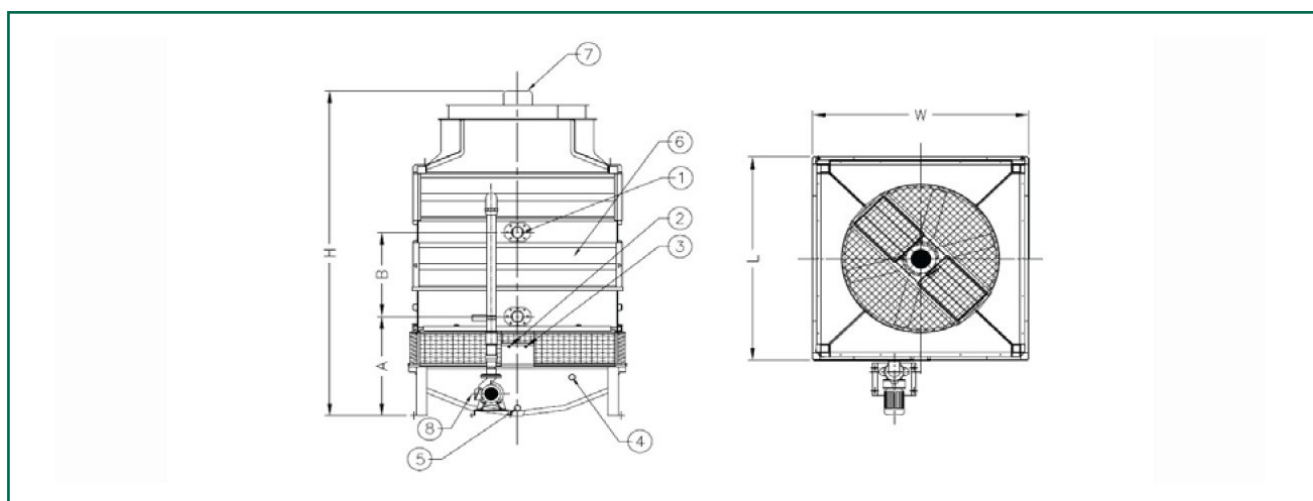
REMARK: Do not use for construction. Refer to factory certified dimensions & weights. This page includes data current at time of publication, which should be reconfirmed at the time of purchase. In the interest of product improvement, specifications, weights and dimensions are subject to change without notice.

Last update: 12 April 2016

Dimensions showing location of refrigerant connections are approximate and should not be used for prefabrication of connecting piping.

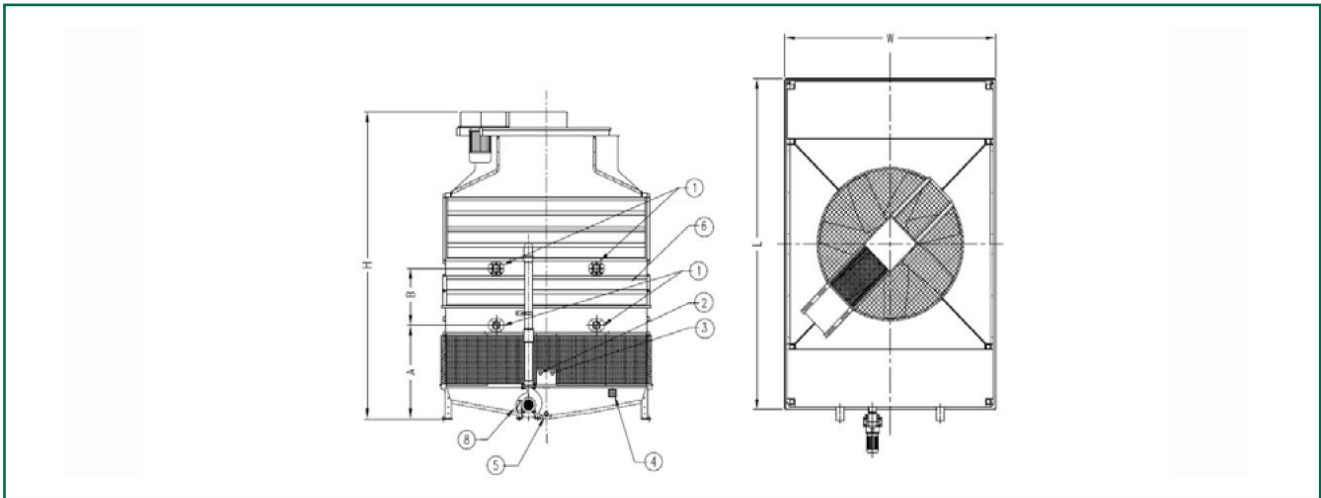
2. Refrigerant inlet and outlet connections are beveled for welding. standard size for inlet and outlet connections is 100NB.
3. Maximum drain size is based on a bottom connection.
4. Standard make-up, drain and overflow connections are MPT.
5. Unit height is indicative, for precise value please refer to certified print.
6. Operating weight is for the unit with the water level at the overflow.
7. Dimensions, shipping and operating weights indicated are for units without accessories. Consult your local BAC representative for further information.

RCC 0505-0707

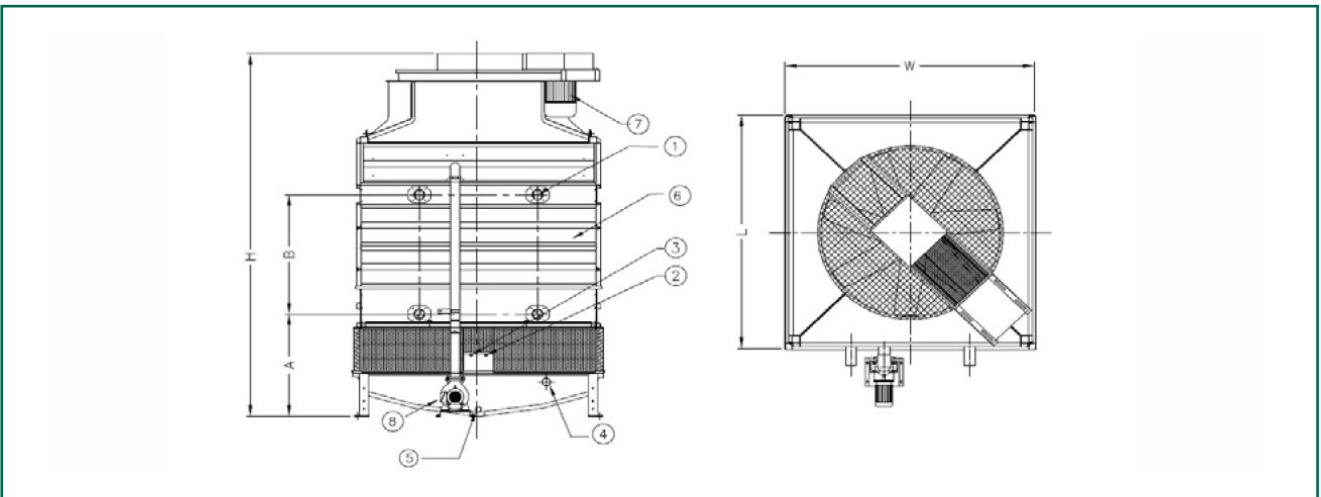


1. Coil inlet and outlet connections; 2. Make-up; 3. Quick fill; 4. Overflow; 5. Drain; 6. Access door; 7. Fan motor; 8. Recirculation spray pump.

RCC 0710-1116



RCC 0808-1111



1. Coil inlet and outlet connections; 2. Make-up; 3. Quick fill; 4. Overflow; 5. Drain; 6. Access door; 7. Fan motor; 8. Recirculation spray pump.

Model	Weights (kg)			Dimensions (mm)			Airflow (m ³ /s)	Fan Motor (kW)	Water Flow (l/s)	Pump Motor (kW)	Total R717 charge (kg)
	Oper. Weight (kg)	Ship. Weight (kg)	Heaviest Section (kg)	L (mm)	W (mm)	H (mm)					
RCC 0505-0-G	1900	1020	690	12270	1674	2600	7.42	(1x) 2.2kW	(1x) 6.8	(1x) 0.55 kW	18
RCC 0505-0-I	1900	1020	690	12270	1674	2600	8.07	(1x) 4.0kW	(1x) 6.8	(1x) 0.55 kW	18
RCC 0505-1-G	2100	1210	880	12270	1674	2900	6.92	(1x) 2.2kW	(1x) 6.8	(1x) 0.55 kW	28
RCC 0505-2-G	2300	1380	1050	12270	1674	3010	6.5	(1x) 2.2kW	(1x) 6.8	(1x) 0.55 kW	37



Model	Weights (kg)			Dimensions (mm)			Airflow (m ³ /s)	Fan Motor (kW)	Water Flow (l/s)	Pump Motor (kW)	Total R717 charge (kg)
	Oper. Weight (kg)	Ship. Weight (kg)	Heaviest Section (kg)	L (mm)	W (mm)	H (mm)					
RCC 0505-2-I	2300	1380	1050	12270	1674	3010	7.86	(1x) 4.0kW	(1x) 6.8	(1x) 0.55 kW	37
RCC 0505-3-I	2550	1560	1230	12270	1674	3315	7.5	(1x) 4.0kW	(1x) 6.8	(1x) 0.55 kW	46
RCC 0505-3-J	2550	1560	1230	12270	1674	3315	8.11	(1x) 5.5kW	(1x) 6.8	(1x) 0.55 kW	46
RCC 0606-2-I	3150	1830	1550	21977	1979	3280	9.95	(1x) 4.0kW	(1x) 9.8	(1x) 0.75 kW	54
RCC 0606-2-J	3150	1830	1550	21977	1979	3280	11.1	(1x) 5.5kW	(1x) 9.8	(1x) 0.75 kW	54
RCC 0606-3-I	3500	2080	1800	21977	1979	3585	9.54	(1x) 4.0kW	(1x) 9.8	(1x) 0.75 kW	67
RCC 0606-3-J	3500	2080	1800	21977	1979	3585	11.0	(1x) 5.5kW	(1x) 9.8	(1x) 0.75 kW	67
RCC 0606-3-K	3500	2080	1800	21977	1979	3585	11.6	(1x) 7.5kW	(1x) 9.8	(1x) 0.75 kW	67
RCC 0707-2-I	4100	2390	2050	22282	2284	3470	12.4	(1x) 4.0kW	(1x) 13.3	(1x) 0.75 kW	146
RCC 0707-2-J	4100	2390	2050	22282	2284	3470	13.6	(1x) 5.5kW	(1x) 13.3	(1x) 0.75 kW	146
RCC 0707-2-K	4100	2390	2050	22282	2284	3470	13.6	(1x) 7.5kW	(1x) 13.3	(1x) 0.75 kW	146
RCC 0707-3-J	4600	2730	2390	22282	2284	3775	13.1	(1x) 5.5kW	(1x) 13.3	(1x) 0.75 kW	182
RCC 0707-3-K	4600	2730	2390	22282	2284	3775	14.7	(1x) 7.5kW	(1x) 13.3	(1x) 0.75 kW	182
RCC 0707-3-L	4600	2730	2390	22282	2284	3775	15.6	(1x) 11.0kW	(1x) 13.3	(1x) 0.75 kW	182
RCC 0710-2-J	6150	3580	3070	23418	2284	4125	18.1	(1x) 5.5kW	(1x) 20.4	(1x) 1.5 kW	226
RCC 0710-2-K	6150	3580	3070	23418	2284	4125	19.8	(1x) 7.5kW	(1x) 20.4	(1x) 1.5 kW	226
RCC 0710-2-L	6150	3580	3070	23418	2284	4125	22.5	(1x) 11.0kW	(1x) 20.4	(1x) 1.5 kW	226
RCC 0710-3-L	6850	4090	3580	23418	2284	4535	21.5	(1x) 11.0kW	(1x) 20.4	(1x) 1.5 kW	284
RCC 0710-3-M	6850	4090	3580	23418	2284	4535	23.9	(1x) 15.0kW	(1x) 20.4	(1x) 1.5 kW	284
RCC 0808-2-K	5250	3050	2790	22586	2588	3450	18.7	(1x) 7.5kW	(1x) 17.4	(1x) 0.75 kW	188
RCC 0808-2-L	5250	3050	2790	22586	2588	3450	20.5	(1x) 11.0kW	(1x) 17.4	(1x) 0.75 kW	188
RCC 0808-3-K	5850	3500	3230	22586	2588	3755	17.6	(1x) 7.5kW	(1x) 17.4	(1x) 0.75 kW	236
RCC 0808-3-L	5850	3500	3230	22586	2588	3755	20.1	(1x) 11.0kW	(1x) 17.4	(1x) 0.75 kW	236



Model	Weights (kg)			Dimensions (mm)			Airflow (m ³ /s)	Fan Motor (kW)	Water Flow (l/s)	Pump Motor (kW)	Total R717 charge (kg)
	Oper. Weight (kg)	Ship. Weight (kg)	Heaviest Section (kg)	L (mm)	W (mm)	H (mm)					
RCC 0812-2-L	7850	4560	4180	23874	2588	4145	26.6	(1x) 11.0kW	(1x) 26.5	(1x) 2.2 kW	292
RCC 0812-2-M	7850	4560	4180	23874	2588	4145	29.4	(1x) 15.0kW	(1x) 26.5	(1x) 2.2 kW	292
RCC 0812-3-L	8750	5230	4850	23874	2588	4465	25.2	(1x) 11.0kW	(1x) 26.5	(1x) 2.2 kW	292
RCC 0812-3-M	8750	5230	4850	23874	2588	4465	28.4	(1x) 15.0kW	(1x) 26.5	(1x) 2.2 kW	292
RCC 0812-3-N	8750	5230	4850	23874	2588	4465	30.4	(1x) 18.5kW	(1x) 26.5	(1x) 2.2 kW	292
RCC 0909-2-K	6450	3810	3500	22891	2893	3580	21.6	(1x) 7.5kW	(1x) 22.0	(1x) 1.1 kW	242
RCC 0909-2-L	6450	3810	3500	22891	2893	3580	24.3	(1x) 11.0kW	(1x) 22.0	(1x) 1.1 kW	242
RCC 0909-3-L	7200	4380	4060	22891	2893	3885	23.3	(1x) 11.0kW	(1x) 22.0	(1x) 1.1 kW	304
RCC 0909-3-M	7200	4380	4060	22891	2893	3885	23.3	(1x) 15.0kW	(1x) 22.0	(1x) 1.1 kW	304
RCC 0913-2-M	9650	5710	4250	24328	2893	4205	32.0	(1x) 15.0kW	(1x) 33.5	(1x) 2.2 kW	374
RCC 0913-2-N	9650	5710	4250	24328	2893	4205	35.0	(1x) 18.5kW	(1x) 33.5	(1x) 2.2 kW	374
RCC 0913-3-M	10800	6560	6090	24328	2893	4525	33.8	(1x) 15.0kW	(1x) 33.5	(1x) 2.2 kW	468
RCC 0913-3-N	10800	6560	6090	24328	2893	4525	36.0	(1x) 18.5kW	(1x) 33.5	(1x) 2.2 kW	468
RCC 0913-3-O	10800	6560	6090	24328	2893	4525	38.3	(1x) 22.0kW	(1x) 33.5	(1x) 2.2 kW	468
RCC 1010-2-L	7750	4580	4210	23198	3200	3820	28.3	(1x) 11.0kW	(1x) 27.1	(1x) 2.2 kW	304
RCC 1010-2-M	7750	4580	4210	23198	3200	3820	30.9	(1x) 15.0kW	(1x) 27.1	(1x) 2.2 kW	304
RCC 1010-3-L	8700	5280	4910	23198	3200	4125	27.3	(1x) 11.0kW	(1x) 27.1	(1x) 2.2 kW	380
RCC 1010-3-M	8700	5280	4910	23198	3200	4125	29.8	(1x) 15.0kW	(1x) 27.1	(1x) 2.2 kW	380
RCC 1010-3-N	8700	5280	4910	23198	3200	4125	31.9	(1x) 18.5kW	(1x) 27.1	(1x) 2.2 kW	380
RCC 1015-2-N	11600	6870	6310	24785	3200	4400	39.3	(1x) 18.5kW	(1x) 41.3	(1x) 3.0 kW	466
RCC 1015-2-O	11600	6870	6310	24785	3200	4400	41.4	(1x) 22.0kW	(1x) 41.3	(1x) 3.0 kW	466
RCC 1015-3-N	13000	7920	7360	24785	3200	4720	40.3	(1x) 18.5kW	(1x) 41.3	(1x) 3.0 kW	582
RCC 1015-3-O	13000	7920	7360	24785	3200	4720	42.5	(1x) 22.0kW	(1x) 41.3	(1x) 3.0 kW	582



Model	Weights (kg)			Dimensions (mm)			Airflow (m ³ /s)	Fan Motor (kW)	Water Flow (l/s)	Pump Motor (kW)	Total R717 charge (kg)
	Oper. Weight (kg)	Ship. Weight (kg)	Heaviest Section (kg)	L (mm)	W (mm)	H (mm)					
RCC 1015-3-P	13000	7920	7360	24785	3200	4720	47.2	(1x) 30.0kW	(1x) 41.3	(1x) 3.0 kW	582
RCC 1111-2-M	9150	5450	4210	23498	3500	3985	35.7	(1x) 15.0kW	(1x) 32.8	(1x) 2.2 kW	370
RCC 1111-2-N	9150	5450	4210	23498	3500	3985	37.7	(1x) 18.5kW	(1x) 32.8	(1x) 2.2 kW	370
RCC 1111-3-M	10300	6300	5880	23498	3500	4290	33.5	(1x) 15.0kW	(1x) 32.8	(1x) 2.2 kW	710
RCC 1111-3-N	10300	6300	5880	23498	3500	4290	36.1	(1x) 18.5kW	(1x) 32.8	(1x) 2.2 kW	710
RCC 1111-3-O	10300	6300	5880	23498	3500	4290	37.1	(1x) 22.0kW	(1x) 32.8	(1x) 2.2 kW	710
RCC 1116-2-O	13700	8180	7560	25245	3500	4585	50.9	(1x) 22.0kW	(1x) 49.9	(1x) 4.0 kW	568
RCC 1116-2-P	13700	8180	7560	25245	3500	4585	57.9	(1x) 30.0kW	(1x) 49.9	(1x) 4.0 kW	568
RCC 1116-3-O	15400	9450	8820	25245	3500	4905	50.0	(1x) 22.0kW	(1x) 49.9	(1x) 4.0 kW	710
RCC 1116-3-P	15400	9450	8820	25245	3500	4905	54.3	(1x) 30.0kW	(1x) 49.9	(1x) 4.0 kW	710