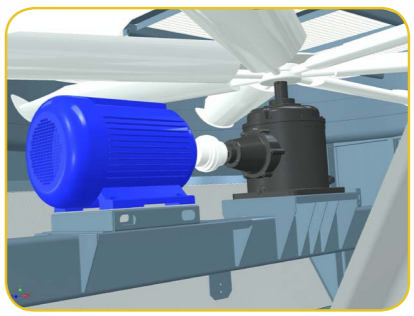
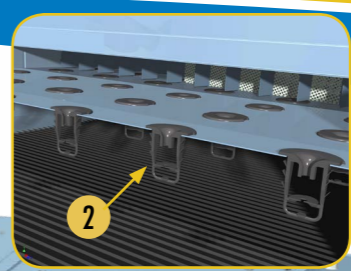
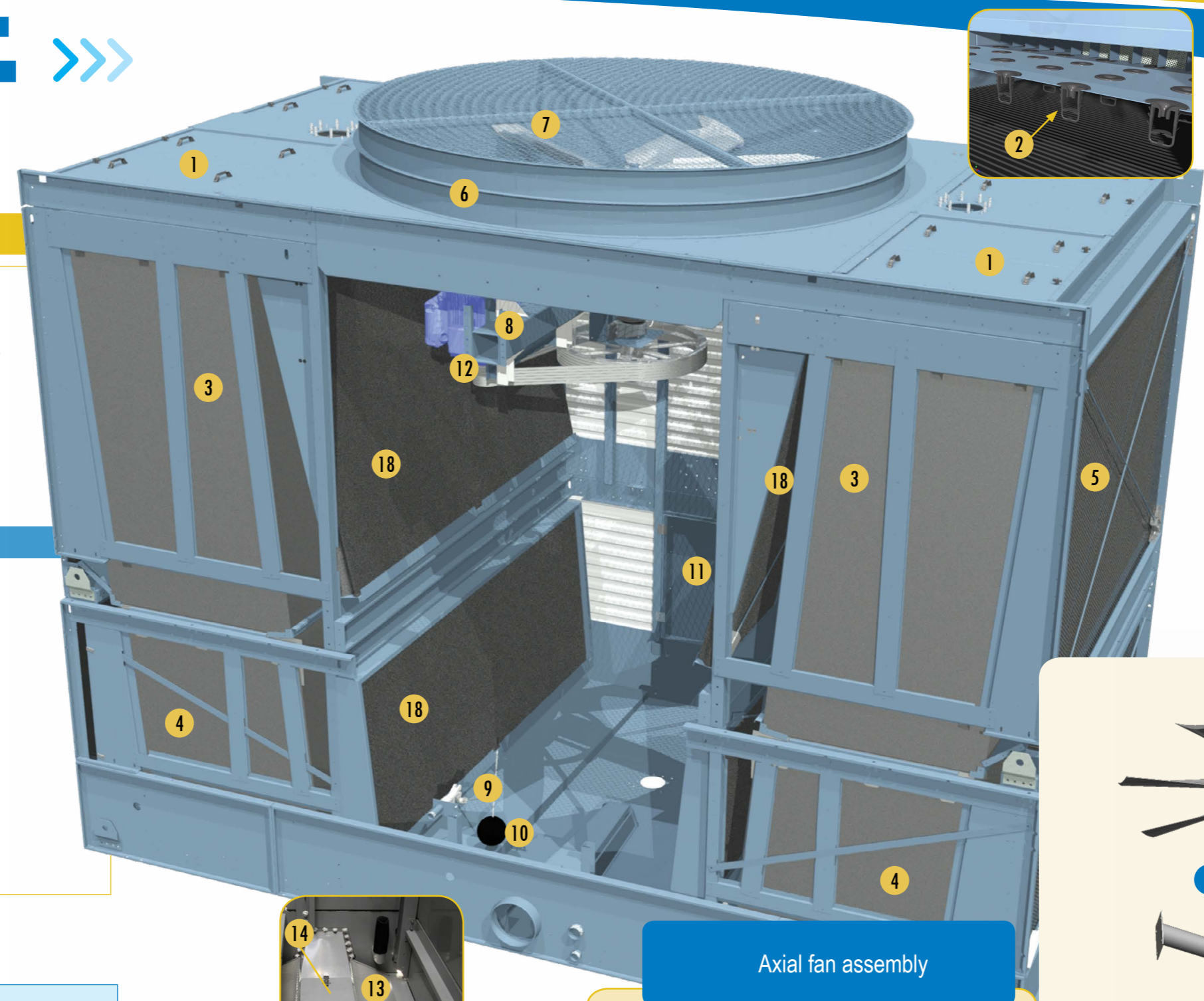


S3000E >>>



Gear box driven (option)

Fill & Pan Section

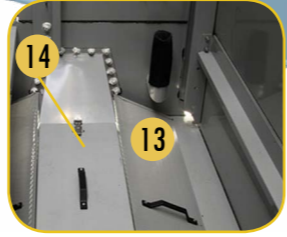
1. Hot water basin
2. Nozzles
3. BACross 3 - Fill sheets with integrated drift eliminators
4. BACross 3 - Lower fill sheets with integrated drift eliminators (certain models)
5. Combined inlet shields
6. Fan cylinder
7. Fan guard
8. Axial fan assembly (see detailed view)
9. Make-up valve assembly
10. Float ball
11. Access door
12. Motor base & adjust rod
13. Pan strainer
14. Pan strainer hood
15. Heater
16. Low level cut out switch
17. Heater thermostat
18. Additional layer of drift eliminators (certain models)

Client contact information

Name _____
 Company _____
 Telephone _____
 Email _____
 Unit model _____
 Serial number _____

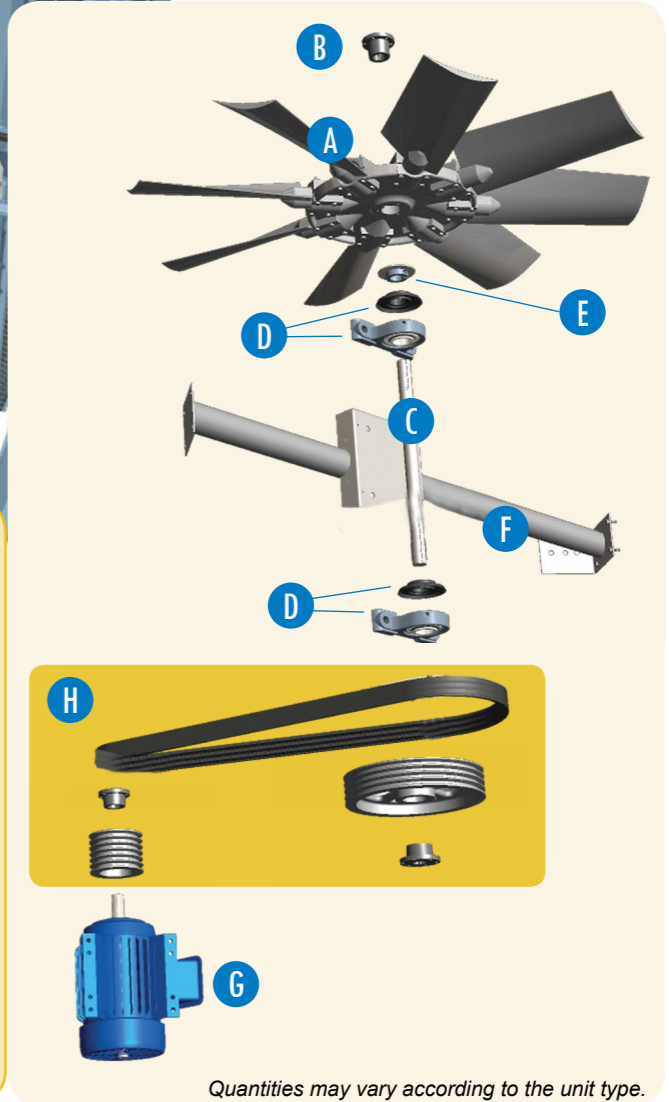


Name _____
 Telephone _____
 Email _____



Axial fan assembly

- A. Axial fan
- B. Fan bushing
- C. Fan shaft
- D. Bearing with flinger collar
- E. Fan locking collar
- F. Bearing support
- G. Impervix Fan motor
- H. Drive set
 - Motor sheave & bushing
 - Aluminium fan sheave & bushing
 - Belt set



Quantities may vary according to the unit type.

Spare parts for cooling tower



This is not an official order form.