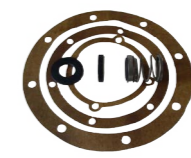
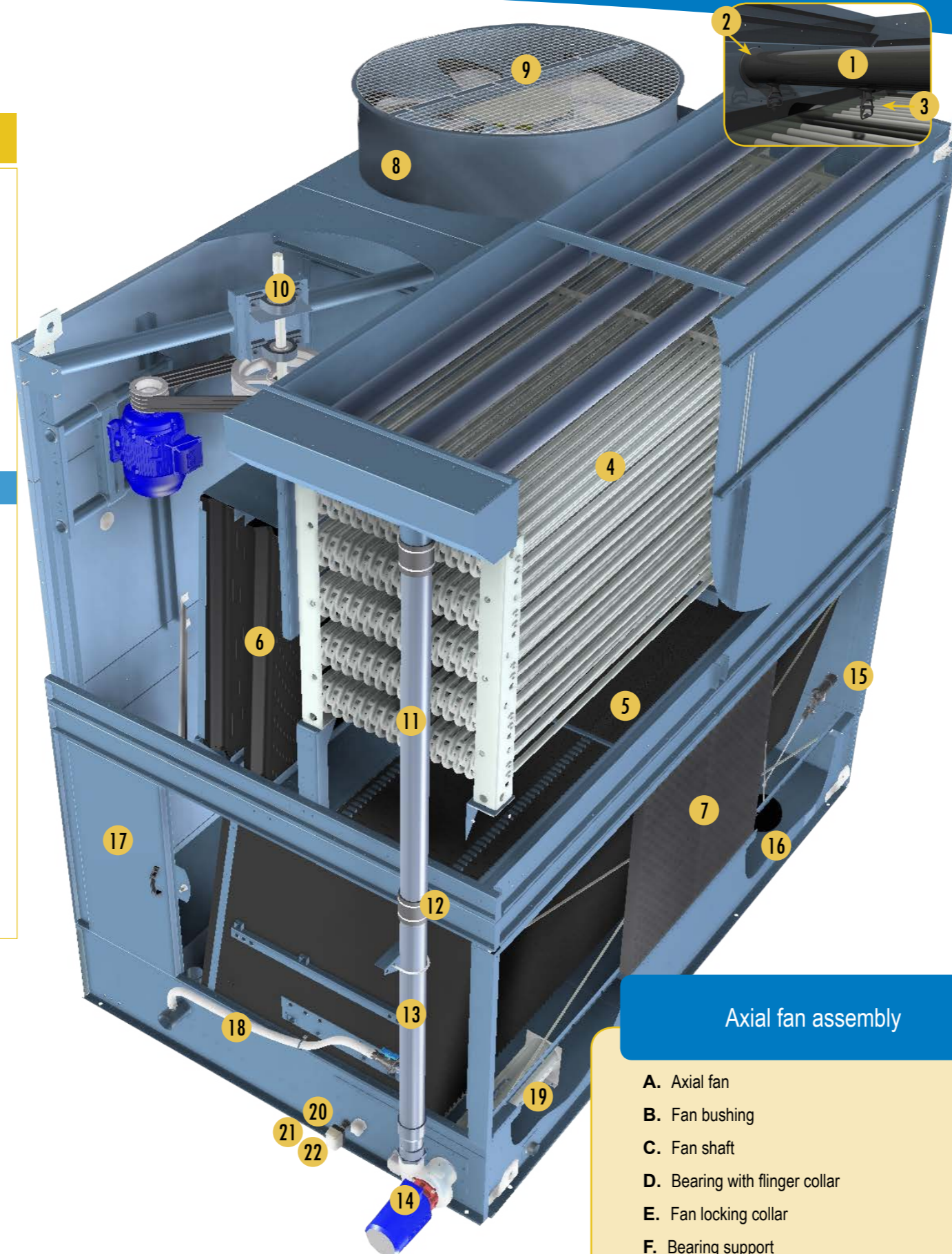


## Fill, Coil & Pan Section

1. Spray branches
2. Spray branch grommets
3. Spray nozzles & nozzles grommets
4. Coil
5. Fill sheets with integrated drift eliminators
6. Drift eliminators
7. Combined inlet shields
8. Fan cylinder
9. Fan guard
10. Axial fan assembly (see detailed view)
11. Upper pump piping
12. Sleeve & clamps
13. Lower pump piping
14. Spray pump  
with volute      without volute      seal kit
15. Make-up valve assembly
16. Float ball
17. Access door
18. Bleed line with manual valve
19. Pan strainer
20. Heater
21. Low level cut out switch
22. Heater thermostat



Seal kit



Spray pump with volute



Spray pump without volute



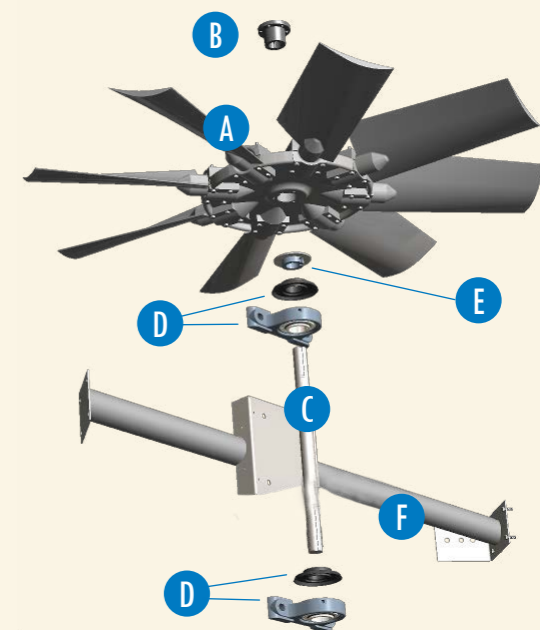
20



21



22



### Axial fan assembly

- A. Axial fan
- B. Fan bushing
- C. Fan shaft
- D. Bearing with flinger collar
- E. Fan locking collar
- F. Bearing support
- G. Impervix Fan motor
- H. Drive set  
Motor sheave & bushing  
Aluminium fan sheave & bushing  
Belt set



H



G

Quantities may vary according to the unit type.

### Client contact information

Name \_\_\_\_\_  
 Company \_\_\_\_\_  
 Telephone \_\_\_\_\_  
 Email \_\_\_\_\_  
 Unit model \_\_\_\_\_  
 Serial number \_\_\_\_\_



Your BAC-Balticare contact

Name \_\_\_\_\_  
 Telephone \_\_\_\_\_  
 Email \_\_\_\_\_

Spare parts for cooling tower

