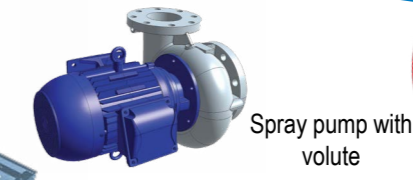
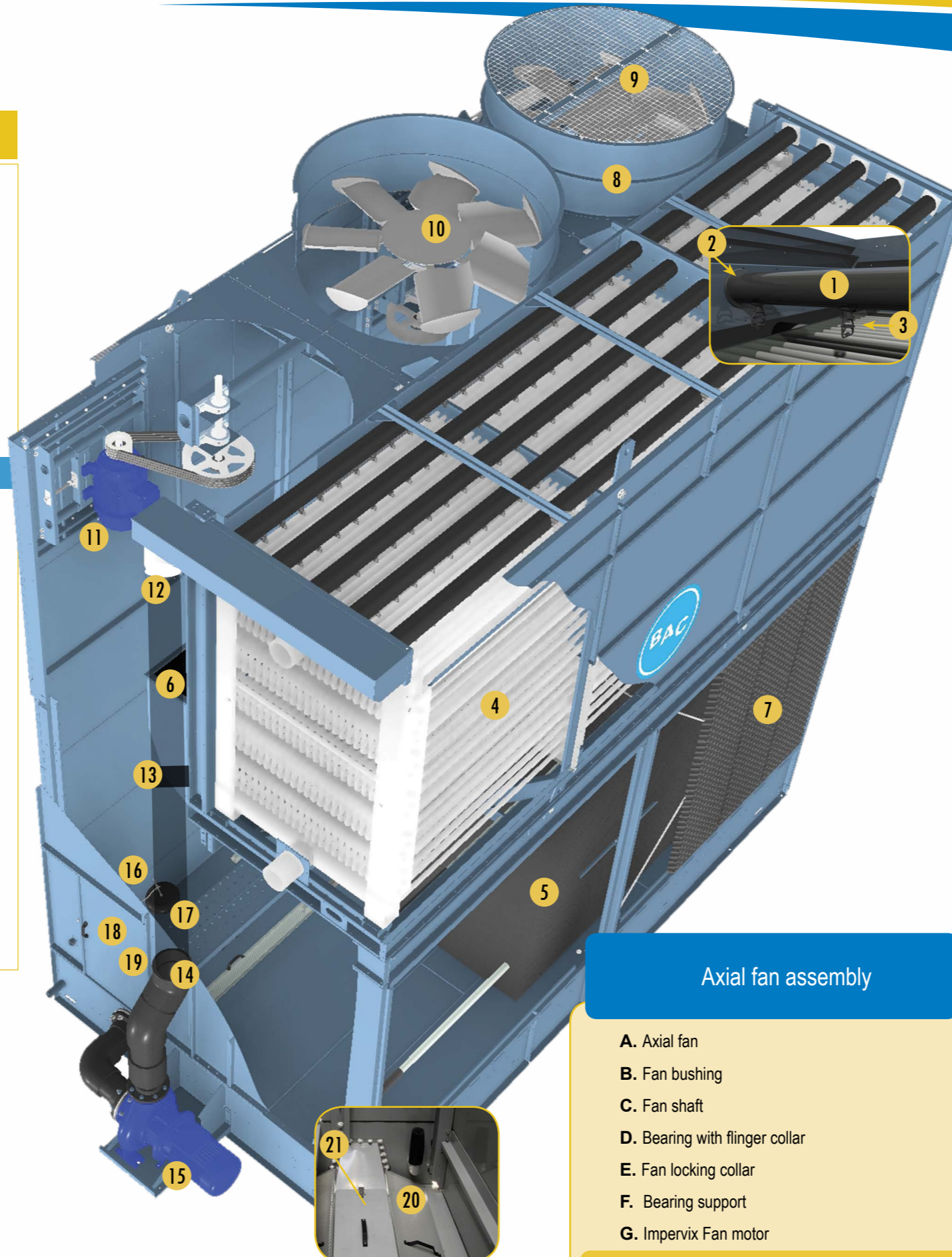


# FXVE >>>



## Fill, Coil & Pan Section

1. Spray branches
2. Spray branch grommets
3. Spray nozzles & nozzles grommets
4. Coil
5. BACross 2 - Fill sheets with integrated drift eliminators
6. Drift eliminators
7. Combined inlet shields
8. Fan cylinder
9. Fan guard
10. Axial fan assembly (see detailed view)
11. Motor base & adjust rod
12. Upper pump piping
13. Sleeve & clamps (not visible)
14. Lower pump piping
15. Spray pump
  - with volute
  - without volute
  - seal kit
16. Make-up valve assembly
17. Float ball
18. Access door
19. Bleed line with manual valve (not visible)
20. Pan strainer
21. Pan strainer hood
22. Heater
23. Low level cut out switch
24. Heater thermostat



Spray pump with volute



Spray pump without volute



Seal kit



22



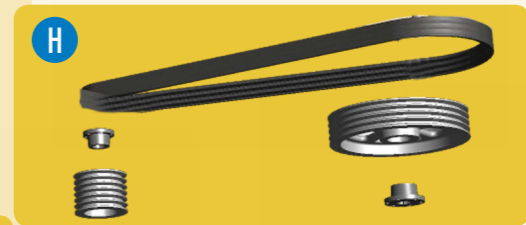
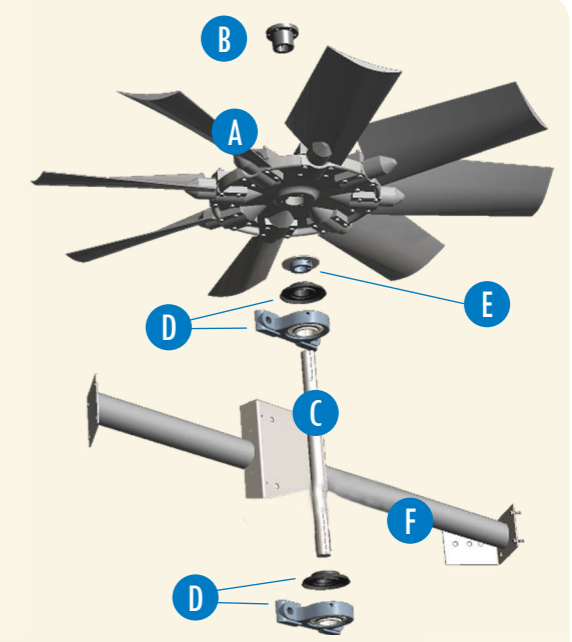
23



24

### Axial fan assembly

- A. Axial fan
- B. Fan bushing
- C. Fan shaft
- D. Bearing with flinger collar
- E. Fan locking collar
- F. Bearing support
- G. Impervix Fan motor
- H. Drive set
  - Motor sheave & bushing
  - Aluminium fan sheave & bushing
  - Belt set



H



G

### Client contact information

Name \_\_\_\_\_

Company \_\_\_\_\_

Telephone \_\_\_\_\_

Email \_\_\_\_\_

Unit model \_\_\_\_\_

Serial number \_\_\_\_\_



### Your BAC contact

Name \_\_\_\_\_

Telephone \_\_\_\_\_

Email \_\_\_\_\_

Spare parts for cooling tower



Quantities may vary according to the unit type.